



# GS60-SERIES

## ALL STAINLESS STEEL PRESSURE GAUGE

**GS60 SERIES** is a special design with stainless steel case and copper alloy wetted part and fillable option for extreme vibration application and non-corrosive ambient field condition, with bayonet lock case design. Applicable for pneumatic and hydraulic systems, compressors, engines, pumps, sprinkles system, building automation system and processing unit where vibration is concern.



### FEATURES



- Accuracy Class 1.6, Class 2.5 (40 mm)
- Wide range application
- All stainless steel construction
- Knock-down system back and front flange
- DIN case, bayonet lock design
- Over pressure up to 30% of Full Scale
- Restrictor screw standard
- Excellent vibration resist with liquid filling
- Design scale ranges up to 1000 bar

### DESIGN MATERIAL



- **Casing and Bezel Ring**
  - SS 304, bayonet lock case (50...63 mm)
  - SS 304, Crimped case (40mm)
- **Sensing Element**
  - Stainless steel 316
- **Connection**
  - Stainless steel 316
- **Window**
  - Plain instrument glass
- **Window gasket**
  - Industrial rubber seal
- **Pointer**
  - Black painted aluminium
- **Dial Plate**
  - Aluminium alloy

### TECHNICAL SPECIFICATION

- **Nominal Size**
  - 40, 63 and 75 mm
- **Accuracy Class**
  - Class 1.6 (Ø 63, 75 mm)
  - Class 2.5 (Ø 40 mm)
- **Ingress Protection**
  - IP 65 (Weather tight)
- **Connection Size**
  - G 1/8, G 1/4, G3/8 or NPT
- **Scale Range**
  - Pressure 0.. 1000 bar
  - Vacuum -1 bar.. 0
  - Compound -1.. 24 bar
- **Filling**
  - Dry or liquid filled
- **Operating Temperature**
  - Ambient temperature -10°.. +70°C
  - Medium temperature 180°C Max.
- **Temperature Error**
  - Additional error when pressure element temperature deviates from reference temperature +20°C (+68°F) be ±0.4% / 10°C (50°F) rising or falling
- **Over Pressure Limit**
  - 130% of F.S. P < 100 bar
  - 115% of F.S. P > 100 bar
- **Dial Graduation**
  - Black graduation on white for single range
  - Black and red graduation on white for dual ranges



## ORDERING CODE



## 1 DIAL

	Dial size
40	1½" or 40 mm
60	2½" or 63 mm
75	3" or 75 mm

## 3 MOUNTING

	Mounting
D	Bottom / Direct connection
B	Lower back connection
W	Bottom conn., back flange / Wall
S	Back conn., back flange
P	Back conn., front flange / Panel
U	Back connection with U-clamp

## 4 CONNECTION

	Connection size
G8	G 1/8" (40 mm)
N8	1/8" NPT (40 mm)
G4	G 1/4" (63 mm)
N4	1/4" NPT (63 mm)
G3	G 3/8" (75 mm)
N3	3/8" NPT (75 mm)

## 5 OPTION

	Option
CD	Custom dial layout
SU	Special unit range
SS	Stainless steel 316 case and
BB	Blow out back case
SG	Laminated safety glass
O2	Oxygen service cleaning
OC	Other connection thread

## 2 RANGE

Dual ranges		Single range		
Bar	& Psi	Bar or	Psi	kPa
-1.. 0	30"Hg..	1.. 0	-30"Hg.. 0	-100.. 0
-1.. 0.6	-30"Hg..	-1.. 0.6	-30"Hg.. 10	-100.. 60
-1.. 1.5	-30"Hg..	-1.. 1.5	-30"Hg.. 15	-100.. 150
-1.. 3	-30"Hg..	-1.. 3	-30"Hg.. 30	-100.. 300
-1.. 5	-30"Hg..	-1.. 5	-30"Hg.. 60	-100.. 500
-1.. 9	-30"Hg..	-1.. 9	-30"Hg.. 150	-100.. 900
-1.. 15	-30"Hg..	-1.. 15	-30"Hg.. 200	-100..1500
-1.. 24	-30"Hg..	-1.. 24	-30"Hg.. 300	-100..2400
0.. 1	0.. 15	0.. 1	0.. 15	0.. 100
0.. 1.6	0.. 23	0.. 1.6	0.. 20	0.. 160
0.. 2.5	0.. 35	0.. 2.5	0.. 30	0.. 250
0.. 4	0.. 60	0.. 4	0.. 60	0.. 400
0.. 6	0.. 85	0.. 6		0.. 600
0.. 7	0.. 100	0.. 7	0.. 100	0.. 700
0.. 10	0.. 150	0.. 10	0.. 150	0.. 1000
0.. 16	0.. 230	0.. 16	0.. 200	0.. 1600
0.. 25	0.. 350	0.. 25	0.. 300	0.. 2500
0.. 40	0.. 600	0.. 40	0.. 600	0.. 4000
0.. 60	0.. 850	0.. 60		0.. 6000
0.. 70	0.. 1000	0.. 70	0.. 1000	0.. 7000
0.. 100	0.. 1500	0.. 100	0.. 1500	0.. 10000
0.. 160	0.. 2300	0.. 160	0.. 2000	0.. 16000
0.. 250	0.. 3500	0.. 250	0.. 3000	0.. 25000
0.. 400	0.. 6000	0.. 400	0.. 6000	0.. 40000
0.. 600	0.. 8500	0.. 600		0.. 60000
0.. 700	0..10000	0.. 700	0..10000	0.. 70000
0.. 1000	0..15000	0..1000	0..15000	0.. 100000

## 6 FILLING

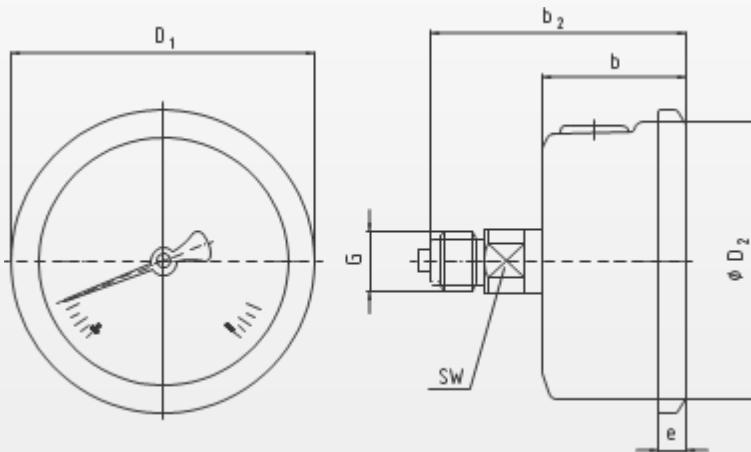
	Filling
D	Dry
G	Glycerine filled
S	Silicone oil filled



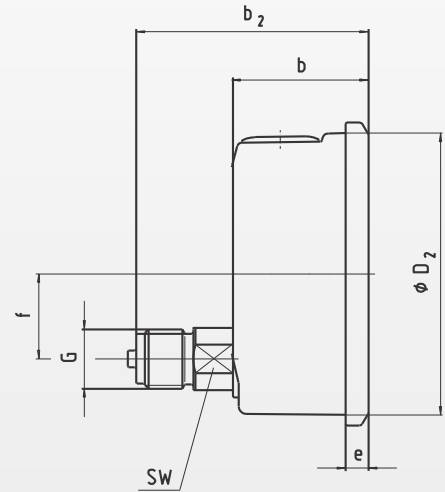
### DIMENSIONS



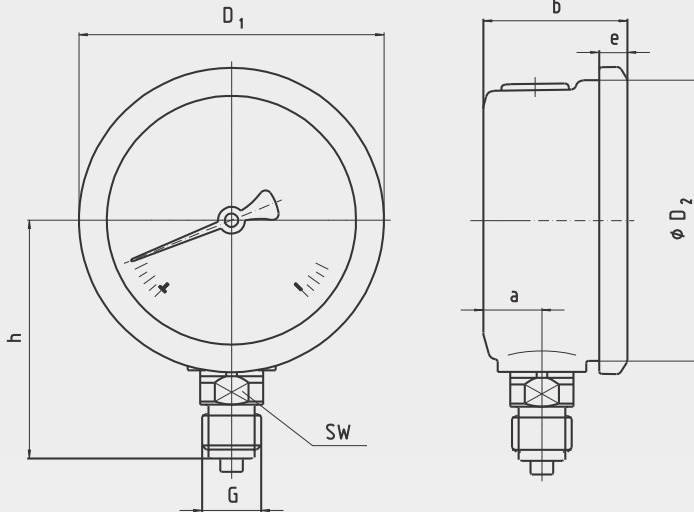
Centre back mount (CBM) 1)



Lower back mount (LBM) 2)



Lower mount (LM)



NS	h	a	b	b <sub>2</sub>	D <sub>1</sub>	D <sub>2</sub>	G
40	38	5	25	-	46	40	G1/8 or NPT
60	55	10	31	58	67	62	G1/4 or NPT
75	70	12	37	-	80	77	G3/8 or NPT