



GB-SERIES

STAINLESS STEEL CASE PRESSURE GAUGE

GB SERIES is a special design with stainless steel case and copper alloy wetted part and fillable option for extreme vibration application and non-corrosive ambient field condition, with bayonet lock case design. Applicable for pneumatic and hydraulic systems, compressors, engines, pumps, sprinkles system, building automation system and processing unit where vibration is concern.



FEATURES



- Accuracy Class 1.6, *Class 1.0
- Wide range vibration application
- Stainless steel case design
- Knock-down system back and front flange
- Bayonet lock case design
- Over pressure up to 30% of Full Scale
- Restrictor screw standard
- Excellent vibration resist with liquid filling
- Design scale ranges up to 1000 bar

DESIGN MATERIAL



- **Casing and Bezel Ring**
Stainless steel 304
- **Sensing Element**
Copper alloy
- **Connection**
Brass
- **Window**
Plain instrument glass
- **Window gasket**
Industrial rubber seal
- **Pointer**
Black painted aluminium
- **Dial Plate**
Aluminium alloy

TECHNICAL SPECIFICATION

- **Nominal Size**
40,60,100 and 150 mm
- **Accuracy Class**
Class 1.6, Class 1.0 ($\varnothing > 100\text{mm}$)
- **Ingress Protection**
IP 65 (Weather tight)
- **Connection Size**
G 1/4, G 1/2 or NPT
- **Scale Range**
Pressure 0.. 1000 bar
Vacuum -1 bar.. 0
Compound -1.. 24 bar
- **Filling**
Dry or liquid filled
- **Tube Element Shape**
P \leq 100 bar in C tube
P > 100 bar in helicoil
- **Operating Temperature**
Ambient temperature -10 $^{\circ}$ C .. +70 $^{\circ}$ C
Medium temperature 90 $^{\circ}$ C Max.
- **Temperature Error**
Additional error when pressure element temperature deviates from reference temperature +20 $^{\circ}$ C (+68 $^{\circ}$ F) be $\pm 0.4\%$ / 10 $^{\circ}$ C (50 $^{\circ}$ F) rising or falling
- **Over Pressure Limit**
130% of F.S. P < 100 bar
115% of F.S. P > 100 bar
- **Dial Graduation**
Black graduation on white for single range
Black and red graduation on white for dual ranges



ORDERING CODE



1 DIAL

	Dial size
40	1½" or 40 mm
60	2½" or 63 mm
100	4" or 100 mm
150	6" or 150 mm

3 MOUNTING

	Mounting
D	Bottom / Direct connection
B	Lower back connection
W	Bottom conn., back flange / Wall
S	Back conn., back flange
P	Back conn., front flange / Panel
U	Back connection with U-clamp

4 CONNECTION

	Connection size
G4	G 1/4"
N4	1/4" NPT
G2	G 1/2"
N2	1/2" NPT
G8	G1/8"
N8	1/8" NPT

5 OPTION

	Option
CD	Custom dial layout
SU	Accuracy Class 1.0 (4" or above)
SS	Stainless steel 316 case and bezel
MP	Micrometer adjustment pointer
BB	Blow out back case
SG	Laminated safety glass
O2	Oxygen service cleaning
OC	Other connection thread

2 RANGE

Dual ranges		Single range		
Bar	& Psi	Bar or	Psi	kPa
-1.. 0	30"Hg..	1.. 0	-30"Hg.. 0	-100.. 0
-1.. 0.6	-30"Hg..	-1.. 0.6	-30"Hg.. 10	-100.. 60
-1.. 1.5	-30"Hg..	-1.. 1.5	-30"Hg.. 15	-100.. 150
-1.. 3	-30"Hg..	-1.. 3	-30"Hg.. 30	-100.. 300
-1.. 5	-30"Hg..	-1.. 5	-30"Hg.. 60	-100.. 500
-1.. 9	-30"Hg..	-1.. 9	-30"Hg.. 150	-100.. 900
-1.. 15	-30"Hg..	-1.. 15	-30"Hg.. 200	-100..1500
-1.. 24	-30"Hg..	-1.. 24	-30"Hg.. 300	-100..2400
0.. 1	0.. 15	0.. 1	0.. 15	0.. 100
0.. 1.6	0.. 23	0.. 1.6	0.. 20	0.. 160
0.. 2.5	0.. 35	0.. 2.5	0.. 30	0.. 250
0.. 4	0.. 60	0.. 4	0.. 60	0.. 400
0.. 6	0.. 85	0.. 6		0.. 600
0.. 7	0.. 100	0.. 7	0.. 100	0.. 700
0.. 10	0.. 150	0.. 10	0.. 150	0.. 1000
0.. 16	0.. 230	0.. 16	0.. 200	0.. 1600
0.. 25	0.. 350	0.. 25	0.. 300	0.. 2500
0.. 40	0.. 600	0.. 40	0.. 600	0.. 4000
0.. 60	0.. 850	0.. 60		0.. 6000
0.. 70	0..1000	0.. 70	0.. 1000	0.. 7000
0.. 100	0.. 1500	0.. 100	0.. 1500	0.. 10000
0.. 160	0.. 2300	0.. 160	0.. 2000	0.. 16000
0.. 250	0.. 3500	0.. 250	0.. 3000	0.. 25000
0.. 400	0.. 6000	0.. 400	0.. 6000	0.. 40000
0.. 600	0.. 8500	0.. 600		0.. 60000
0.. 700	0..10000	0.. 700	0..10000	0.. 70000
0.. 1000	0..15000	0..1000	0..15000	0.. 100000

6 FILLING

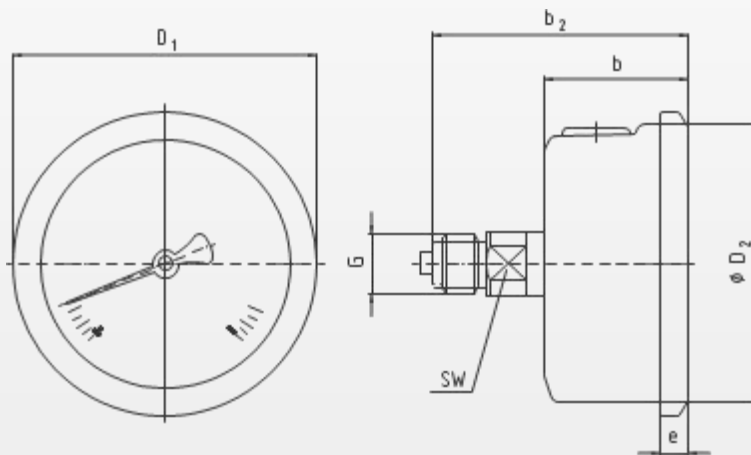
	Filling
D	Dry
G	Glycerine filled
S	Silicone oil filled



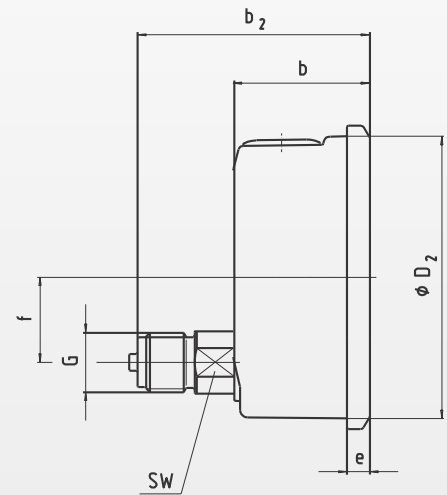
DIMENSIONS



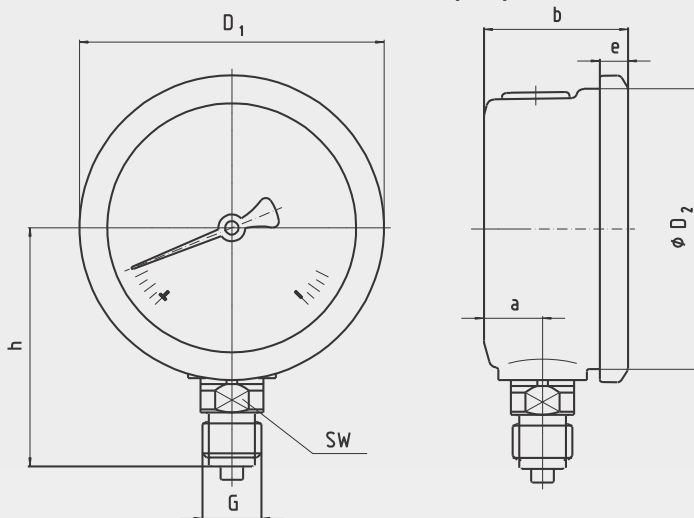
Centre back mount (CBM) 1)



Lower back mount (LBM) 2)



Lower mount (LM)



NS	h	a	b	b ₂	D ₁	D ₂	G
40	38	5	25	-	46	40	G1/8 or NPT
60	55	10	31	58	67	62	G1/4 or NPT
100	83	15	49	86	101	99	G1/2 or NPT
150	117	18	59	126	150	146	G1/2 or NPT