



## GS100-SERIES

ALL STAINLESS STEEL PRESSURE GAUGE

**GS100-SERIES** is a premium design pressure gauge with fully stainless steel construction, liquid fillable and with various option used in extreme corrosive & severe environment.

GS100 series can be incorporate with most accessories such as Diaphragm Chemical seal, Siphon, Dampener, etc... To further extend it usages. Commonly, uses in Process industries, Mining, Power plants, Steel mills, Pulp & Paper, Water & Sewage, Petrochemical plants, etc..



### FEATURES



- Accuracy Class 1.0
- Wide range application
- All stainless steel construction
- Knock-down system back and front flange
- Bayonet lock case design
- Over pressure up to 30% of Full Scale
- Restrictor screw standard
- Excellent vibration resist with liquid filling
- Design scale ranges up to 1600 bar

### DESIGN MATERIAL



- **Casing and Bezel Ring**  
Stainless steel
- **Sensing Element**  
Stainless steel 316L
- **Connection**  
Stainless steel 316L
- **Window**  
Safety glass
- **Window gasket**  
Industrial rubber seal
- **Pointer**  
Black painted aluminium
- **Dial Plate**  
Aluminium alloy

### TECHNICAL SPECIFICATION

- **Nominal Size**  
100 and 150 mm
- **Accuracy Class**  
Class 1.0
- **Ingress Protection**  
IP 65 (Weather tight)
- **Connection Size**  
G½ or ½ NPT
- **Scale Range**  
Pressure 0.. 1600 bar  
Vacuum -1 bar.. 0  
Compound -1.. 24 bar
- **Filling**  
Dry or liquid filled
- **Tube Element Shape**  
P ≤ 100 bar in C tube  
P > 100 bar in helicoil
- **Operating Temperature**  
Ambient temperature -30°.. +70°C  
Medium temperature 180°C Max.
- **Temperature Error**  
Additional error when pressure element temperature deviates from reference temperature +20°C (+68°F) be ±0.4% / 10°C (50°F) rising or falling
- **Over Pressure Limit**  
130% of F.S. P < 100 bar  
115% of F.S. P > 100 bar
- **Dial Graduation**  
Black graduation on white for single range  
Black and red graduation on white for dual ranges



## ORDERING CODE



## 1 DIAL

	Dial size
100	4" or 100 mm
150	6" or 150 mm

## 3 MOUNTING

	Mounting
D	Bottom / Direct connection
B	Lower back connection
W	Bottom conn., back flange / Wall
S	Back conn., back flange
P	Back conn., front flange / Panel
U	Back connection with U-clamp

## 4 CONNECTION

	Connection size
G4	G 1/4"
N4	1/4" NPT
G2	G 1/2"
N2	1/2" NPT

## 5 OPTION

	Option
CD	Custom dial layout
SU	Special unit range
SS	Stainless steel 316 case and
BB	Blow out back case
SG	Laminated safety glass
O2	Oxygen service cleaning
OC	Other connection thread

## 2 RANGE

Dual ranges		Single range		
Bar &	Psi	Bar or	Psi	kPa
-1.. 0	30"Hg..	1.. 0	-30"Hg.. 0	-100.. 0
-1.. 0.6	-30"Hg..	-1.. 0.6	-30"Hg.. 10	-100.. 60
-1.. 1.5	-30"Hg..	-1.. 1.5	-30"Hg.. 15	-100.. 150
-1.. 3	-30"Hg..	-1.. 3	-30"Hg.. 30	-100.. 300
-1.. 5	-30"Hg..	-1.. 5	-30"Hg.. 60	-100.. 500
-1.. 9	-30"Hg..	-1.. 9	-30"Hg.. 150	-100.. 900
-1.. 15	-30"Hg..	-1.. 15	-30"Hg.. 200	-100..1500
-1.. 24	-30"Hg..	-1.. 24	-30"Hg.. 300	-100..2400
0.. 1	0.. 15	0.. 1	0.. 15	0.. 100
0.. 1.6	0.. 23	0.. 1.6	0.. 20	0.. 160
0.. 2.5	0.. 35	0.. 2.5	0.. 30	0.. 250
0.. 4	0.. 60	0.. 4	0.. 60	0.. 400
0.. 6	0.. 85	0.. 6		0.. 600
0.. 7	0.. 100	0.. 7	0.. 100	0.. 700
0.. 10	0.. 150	0.. 10	0.. 150	0.. 1000
0.. 16	0.. 230	0.. 16	0.. 200	0.. 1600
0.. 25	0.. 350	0.. 25	0.. 300	0.. 2500
0.. 40	0.. 600	0.. 40	0.. 600	0.. 4000
0.. 60	0.. 850	0.. 60		0.. 6000
0.. 70	0.. 1000	0.. 70	0.. 1000	0.. 7000
0.. 100	0.. 1500	0.. 100	0.. 1500	0.. 10000
0.. 160	0.. 2300	0.. 160	0.. 2000	0.. 16000
0.. 250	0.. 3500	0.. 250	0.. 3000	0.. 25000
0.. 400	0.. 6000	0.. 400	0.. 6000	0.. 40000
0.. 600	0.. 8500	0.. 600		0.. 60000
0.. 700	0..10000	0.. 700	0..10000	0.. 70000
0.. 1000	0..15000	0..1000	0..15000	0.. 100000

## 6 FILLING

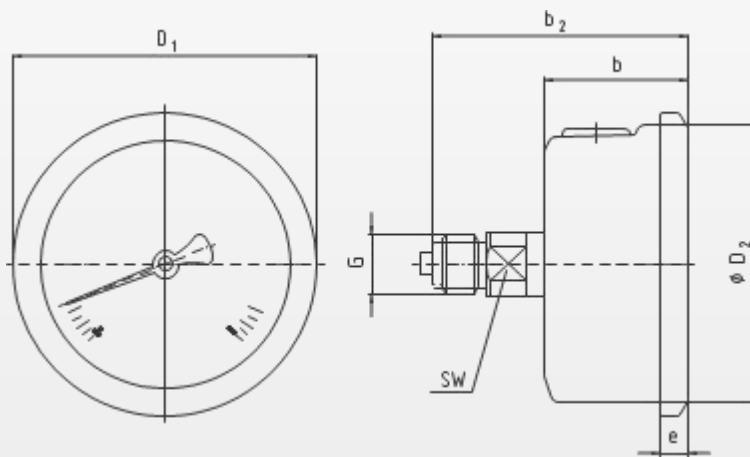
	Filling
D	Dry
G	Glycerine filled
S	Silicone oil filled



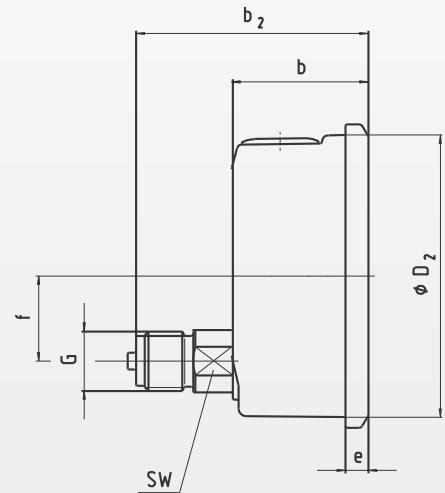
### DIMENSIONS



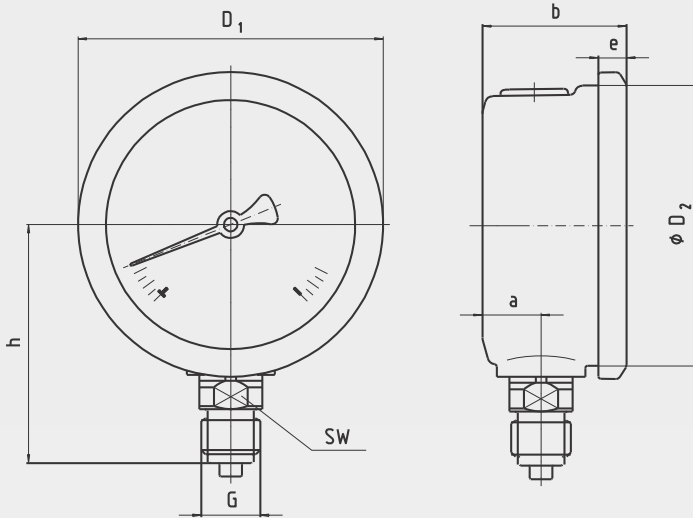
Centre back mount (CBM) 1)



Lower back mount (LBM) 2)



Lower mount (LM)



NS	h	a	b	b <sub>2</sub>	D <sub>1</sub>	D <sub>2</sub>	G
100	83	15	49	86	101	99	G1/2 or NPT
150	117	18	59	126	150	146	G1/2 or NPT