

Feature

- ☆ Accuracy: ± 0.25 、 $\pm 0.5\%$ F.S
- ☆ Zero and full scale adjustable
- ☆ OEM is available
- ☆ Display model is optional
- ☆ Temperature compensation
- ☆ Multi-measurement range and output signal
- ☆ Wide choice of pressure and electrical outputs
- ☆ Nonpolarity two wire current output
- ☆ Intrinsic safety, CE certification

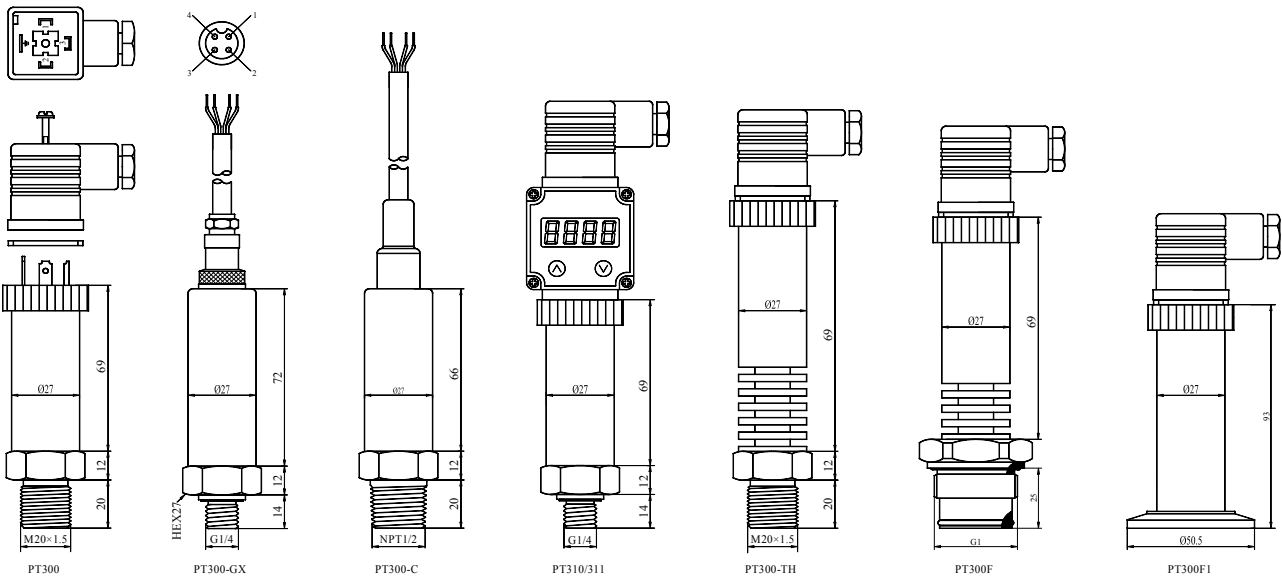
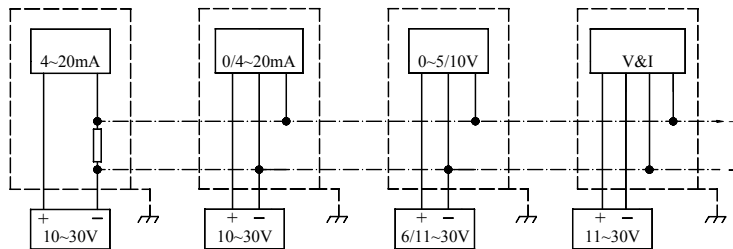
Application

- ☆ Gas dispenser
- ☆ Refrigerating machine
- ☆ Hydraulic control
- ☆ Agricultural machinery
- ☆ Pressure instrument
- ☆ Automatic checkout system,
- ☆ Energy and Water treatment
- ☆ Real-time executive of oil well



Description

CS-PT300 series pressure transmitter is a industrial products.It's offer good accuracy figures, long terms stability,cost effective, measurement range could be adjustable.with the superb chemical and corrosion resistance.It's widely used in gases,liquid pressure testing field.



Technical parameters

Name	Value				Remark
Measurement range	-0.1MPa.....-0.01MPa~0~0.01MPa.....100.0MPa				
Test pressure	1.5 * pressure range				
Burst pressure	3 * pressure range				
Accuracy	±0.25%F.S ±0.5%F.S				
Stability	Typical value 0.25%F.S, maximum: 0.4%F.S				
Operating temperature	-40℃~85℃ (customized available: -40℃~125℃)				
Compensation temperature	-10℃~70℃				
Medium compatibility	All corrosive medium compatible with 1Cr18Ni9Ti				
Electrics feature	Two-wire	Three-wire		Four-wire	
Output signal	4~20mA	0~20mA	0~5V	0.5~4.5V	0~20mA
		0~10Vdc	1~5V	0.5~3V	0~5/10Vdc
Supply voltage	10~30Vdc	11~30Vdc	8~24Vdc	5V Ratio	8/11~30Vdc
Insulation	>100M Ω@50V				
Power intension	500V@60 second				
Electric connector	DIN43650, Protection IP65, Air plug,GX16-7, Protection IP45, Fixed line sets ,Shell protection IP68.				
Pressure connector	M20×1.5 G1/2 G1/4 NPT1/4				
Response time	10ms				
Certification	Intrinsic-safety explosion E, Isolated explosion-proof D, CE				

Order Details

